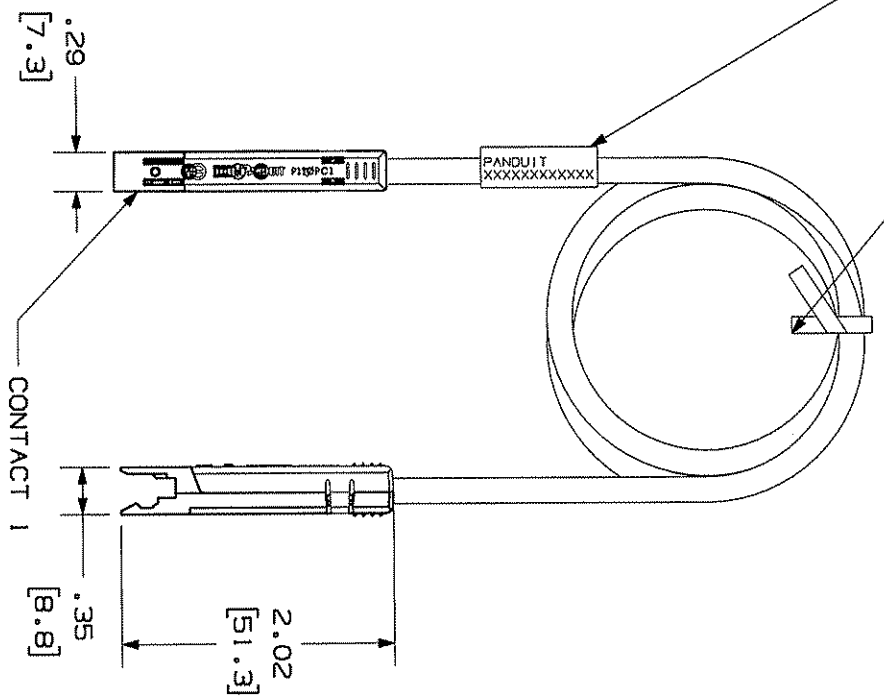


THIS COPY IS PROVIDED ON A RESTRICTED BASIS AND IS NOT TO BE USED IN ANY WAY DETRIMENTAL TO THE INTERESTS OF PANDUIT CORP.

CONTACT	CABLE WIRE COLOR
1	WHITE/BLUE
2	BLUE



- NOTES:
1. SEE CURRENT CATALOG FOR VARIOUS APPLICATIONS AND TO INDICATE PACKAGE QUANTITY. THE PATCH CORDS CAN BE USED WITH PAN-PATCH CONNECTING BLOCKS.
 2. USED WITH PAN-PATCH CONNECTING BLOCKS. PROPER WIRE SEQUENCE AND CONNECTIONS ARE REQUIRED TO SECURE THE JACKET AND CONNECTOR. THE IDENTIFICATION WHICH MINIMIZES WIRE CLOSURE IS THE INTERGRAL STRAIN RELIEF MINIMIZES STRESS ON WIRES DURING DISCONNECTION.
 3. POLARIZED TO PREVENT REVERSE INSTALLATION TO CONNECTOR BLOCK.
 4. CATEGORY 3 UNSHIELDED TWISTED PAIR CABLE WITH 24AWG STRANDED TINNED COPPER CONDUCTOR.
 5. DIMENSIONS IN PARENTHESES ARE IN METRIC.

PANDUIT P/N	MIN. CABLE LENGTH	WEIGHT
P110PC1162Y	2 FT.	.24 LB/10 PCS (112.1 g/10 PCS)
P110PC1163Y	3 FT.	.31 LB/10 PCS (144.5 g/10 PCS)
P110PC1164Y	4 FT.	.38 LB/10 PCS (176.9 g/10 PCS)
P110PC1165Y	5 FT.	.45 LB/10 PCS (209.3 g/10 PCS)
P110PC1166Y	6 FT.	.52 LB/10 PCS (241.7 g/10 PCS)
P110PC1167Y	7 FT.	.59 LB/10 PCS (274.1 g/10 PCS)
P110PC1168Y	8 FT.	.66 LB/10 PCS (306.5 g/10 PCS)
P110PC1169Y	9 FT.	.73 LB/10 PCS (338.9 g/10 PCS)
P110PC11612Y	12 FT.	.93 LB/10 PCS (430.1 g/10 PCS)
P110PC11615Y	15 FT.	1.15 LB/10 PCS (533.3 g/10 PCS)
P110PC11618Y	18 FT.	1.38 LB/10 PCS (630.5 g/10 PCS)
P110PC11619Y	19 FT.	1.48 LB/10 PCS (685.1 g/10 PCS)
P110PC11616.SMY	.5M	.22 LB/10 PCS (100.45g/10 PCS)
P110PC11617Y	1M	.33 LB/10 PCS (153.6 g/10 PCS)
P110PC1161.SMY	1.5M	.45 LB/10 PCS (206.8 g/10 PCS)
P110PC1162.SMY	2M	.56 LB/10 PCS (259.9 g/10 PCS)
P110PC1163.SMY	3M	.79 LB/10 PCS (386.2 g/10 PCS)
P110PC1164.SMY	4M	1.02 LB/10 PCS (472.5 g/10 PCS)
P110PC1165.SMY	5M	1.25 LB/10 PCS (578.8 g/10 PCS)
P110PC1166.SMY	6M	1.48 LB/10 PCS (685.1 g/10 PCS)

DRAWING FILENAME: M02479J0_DC253_00A_PRT

SIZE: A

TITLE: CATEGORY 3 110 PATCHCORD CUSTOMER DRAWING

PANDUIT CORP.
TINLEY PARK, IL 60477

ALL DIMENSIONS ARE GIVEN IN INCHES, UNLESS OTHERWISE SPECIFIED.
DIMENSIONAL TOLERANCES ARE:
1.X1 ± .031(.8) 1.XXX ± .010(.3)
1.XXX ± .010(.3) ANGLES ±

REVIEW DRAWING NUMBERS

DATE	3-17-06
DRAWN BY	NER
TRIP ANGLE PROJECTION	
REVISION	

REV	DATE	BY	CHK	DESCRIPTION	ECN	R	CUST	SUP	OTH
R	3-17-06	NER	NER	RELEASED TO PRODUCTION.	02479-253				

DRAWING NO. 02479-253